

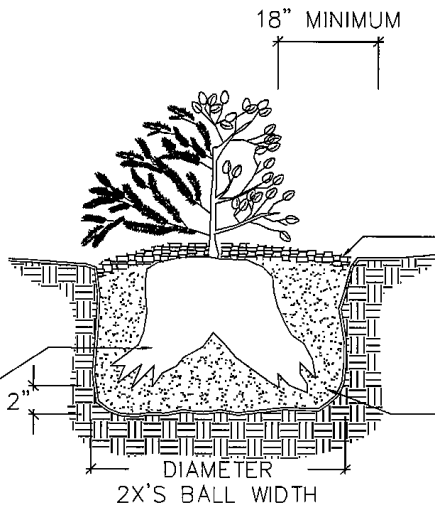
PRUNE DEAD OR DAMAGED BRANCHES PRIOR TO PLANTING. IF FORM IS COMPROMISED BY PRUNING, REPLACE SHRUB.

SPACE PLANTS AND SET PLUMB FOR BEST EFFECT.

MOUND COMPACTED BACKFILL UNDER ROOTBALL OR SET ON UNDISTURBED SOIL.

SPLIT BOTTOM 1/2 OF BALL. SPREAD AND PLANT.

REMOVE ALL CONTAINERS, BASKETS, WIRE ETC. FROM ROOTBALL



PROVIDE 18" MINIMUM DISTANCE FROM EDGE OF MATURE PLANT SPREAD TO EDGER OR CONCRETE.

SET SHRUB PLUMB. TOP OF ROOT BALL TO BE SLIGHTLY ABOVE FINISH GRADE.

3" - 4" DEEP APPROVED MULCH INSIDE SAUCER, ON GEO-TEXTILE WEED BARRIER. BUILD A 4" BASIN AROUND PIT IN NON-IRRIGATED AREAS ONLY.

PREPARED BACKFILL MIXTURE:

1. ONE PART SOIL AMENDMENT - SEE APPROVED MATERIALS LIST.
2. TWO PARTS TOPSOIL.
3. THREE PARTS NATIVE SOIL.
4. SUPERPHOSPHATE AMENDMENT.
5. MATERIALS TO BE THOROUGHLY BLENDED.

NOTES: SEE CITY OF LONGMONT DESIGN STANDARDS & CONSTRUCTION SPECIFICATIONS AND APPROVED MATERIALS LIST FOR APPROVED PRODUCTS AND INSTALLATION REQUIREMENTS.

ADD BEAVER PROTECTION AROUND DECIDUOUS PLANTINGS WITHIN 200' OF ALL RIPARIAN AREAS, PER CITY STANDARDS.

SCALE: NTS



TOWN OF MEAD STANDARD DESIGN CRITERIA

SHRUB PLANTING DETAIL

D8.01

DATE: 04/2021

NOTE: SET ROOT FLARE OF ALL TREES 4" ABOVE GRADE IN IRRIGATED AREAS AND AT GRADE TO 2" ABOVE GRADE IN NON-IRRIGATED AREAS. MODIFY IF SOIL CONDITIONS WARRANT & PER CITY DIRECTION. INSTALL A 5" HIGH BERM AROUND TREES TO CREATE A WATERING BASIN. BERM IS TEMPORARY IN IRRIGATED AREAS. REMOVE BERM AFTER TWO THOROUGH WATERINGS IN IRRIGATED AREAS & MULCH. LEAVE BERM & MULCH IN NON-IRRIGATED AREAS & IN AREAS ONLY IRRIGATED BY DRIP SYSTEMS AFTER DRYLAND GRASS ESTABLISHMENT PERIOD.

3" - 4" DEEP APPROVED MULCH FLUSH WITH SOD AT EDGE. & TO BE KEPT 2" FROM TRUNK. TREE WELL TO BE 5' MINIMUM DIAMETER.

PLANTING HOLE: ROOTBALL TO BE PLACED ON UNDISTURBED SOIL AT DEPTH AS NOTED. HOLE TO BE MORE OF A "DISH" SHAPE RATHER THAN CYLINDRICAL.

REMOVE BOTTOM 1/3 OF WIRE BASKET. SET TREE IN PIT TO PROPER GRADE AND PLUMB. REMOVE REMAINING WIRE & TWINE. IF PLASTIC OR TREATED BURLAP, REMOVE AS MUCH AS POSSIBLE & BACKFILL. IF REGULAR BURLAP, BACKFILL 2/3 OF PIT, REMOVE TOP 1/3 OF BURLAP & COMPLETE BACKFILL.

UNDISTURBED SOIL

TREES IN GRASS AREAS: PROVIDE A MINIMUM 4' RADIUS FROM TRUNK TO SEED/SOD.

PRUNE AS DIRECTED BY OWNER'S REPRESENTATIVE. DO NOT PRUNE OR DAMAGE CENTRAL LEADER.

WRAP TRUNK FROM GROUND LEVEL TO SECOND BRANCH WITH 4" KRAFT TYPE TREE WRAP. SECURE ENDS WITH FLEXIBLE TAPE.

APPROVED GUYING SYSTEM:

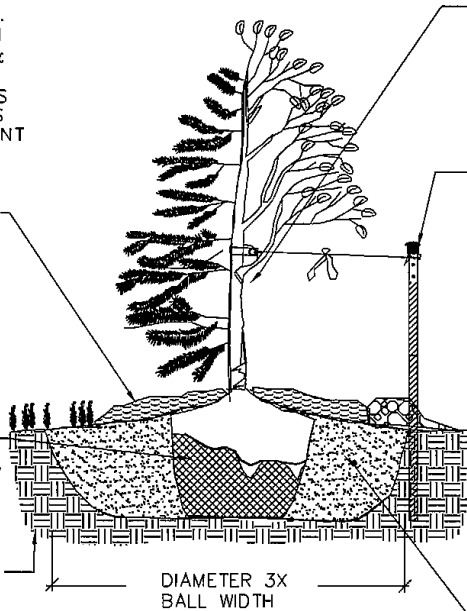
MIN. 6' LONG HEAVY DUTY T-BAR STEEL POST STAKES WITH WHITE T-POST CAPS OR 6' WOODEN POLE STAKES (PREFERRED). GUYS ARE TO BE 17 GAUGE GALVANIZED STEEL WIRES OR STRAP-X GUYS (PREFERRED) SECURED TO TREE WITH CANVAS STRAP ABOVE FIRST BRANCH. WIRE TO BE TAUT BUT NOT OVER-TIGHT. FLAG WIRE WITH WHITE PLASTIC FLAGGING TAPE OR PVC PIPE. CONIFERS TO HAVE 2 STAKES FOR TREES 6' AND LESS, 3 STAKES FOR TREES ABOVE 6'. NO SHORT STAKES PERMITTED FOR EVERGREENS. DECIDUOUS TREES TO HAVE 2 STAKES FOR TREES 2-1/2" CAL. AND LESS, 3 STAKES ABOVE 2-1/2" CAL. ONE STAKE ALWAYS IN DIRECTION OF PREVAILING WINDS. REMOVE STAKES & GUYS AFTER 1 YEAR OR BEFORE FINAL ACCEPTANCE BY CITY.

PREPARED BACKFILL MIXTURE:

1. ONE PART SOIL AMENDMENT - SEE APPROVED MATERIALS LIST.
2. TWO PARTS TOPSOIL.
3. THREE PARTS NATIVE SOIL.
4. SUPERPHOSPHATE AMENDMENT
5. MATERIALS TO BE THOROUGHLY BLENDED.

NOTES: SEE CITY OF LONGMONT DESIGN STANDARDS & CONSTRUCTION SPECIFICATIONS AND APPROVED MATERIALS LIST FOR APPROVED PRODUCTS AND INSTALLATION REQUIREMENTS.

ADD BEAVER PROTECTION AROUND DECIDUOUS PLANTINGS WITHIN 200' OF ALL RIPARIAN AREAS, PER CITY STANDARDS.



SCALE: NTS

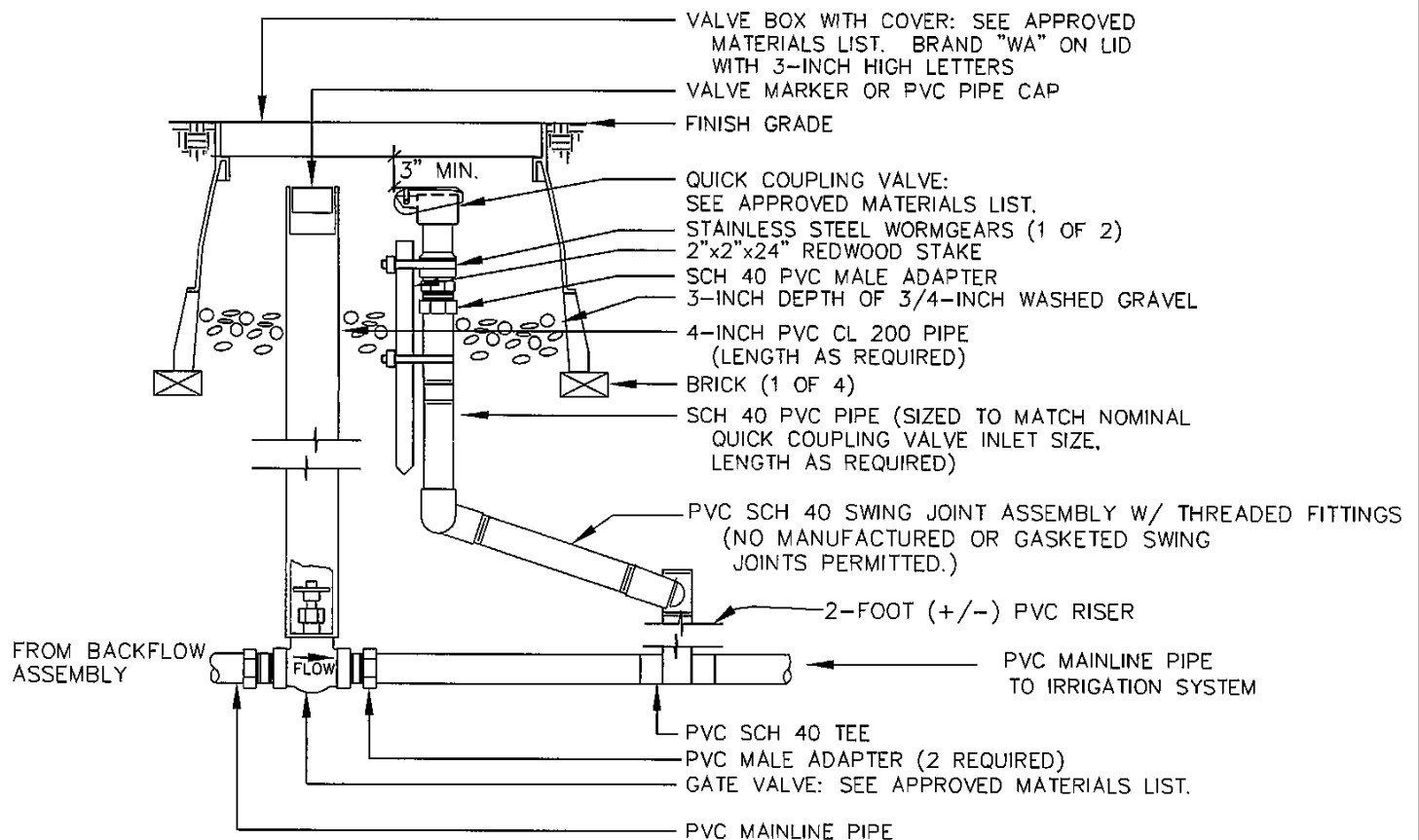


TOWN OF MEAD STANDARD DESIGN CRITERIA

TREE PLANTING DETAIL

D8.02

DATE: 04/2021



NOTES:

- 1) NOMINAL VALVE AND FITTING SIZES SHALL BE IDENTICAL WITH MAINLINE PIPE SIZE UNLESS OTHERWISE NOTED.
2. DEPTH OF BURY OF GATE VALVE TO BE 24" MIN.
3. SEE BACKFLOW PREVENTER, METER PIT & DOWNSTREAM ASSEMBLIES DETAIL.
4. SEE CITY OF LONGMONT DESIGN STANDARDS & CONSTRUCTION SPECIFICATIONS AND APPROVED MATERIALS LIST FOR APPROVED PRODUCTS AND INSTALLATION REQUIREMENTS.

SCALE: NTS

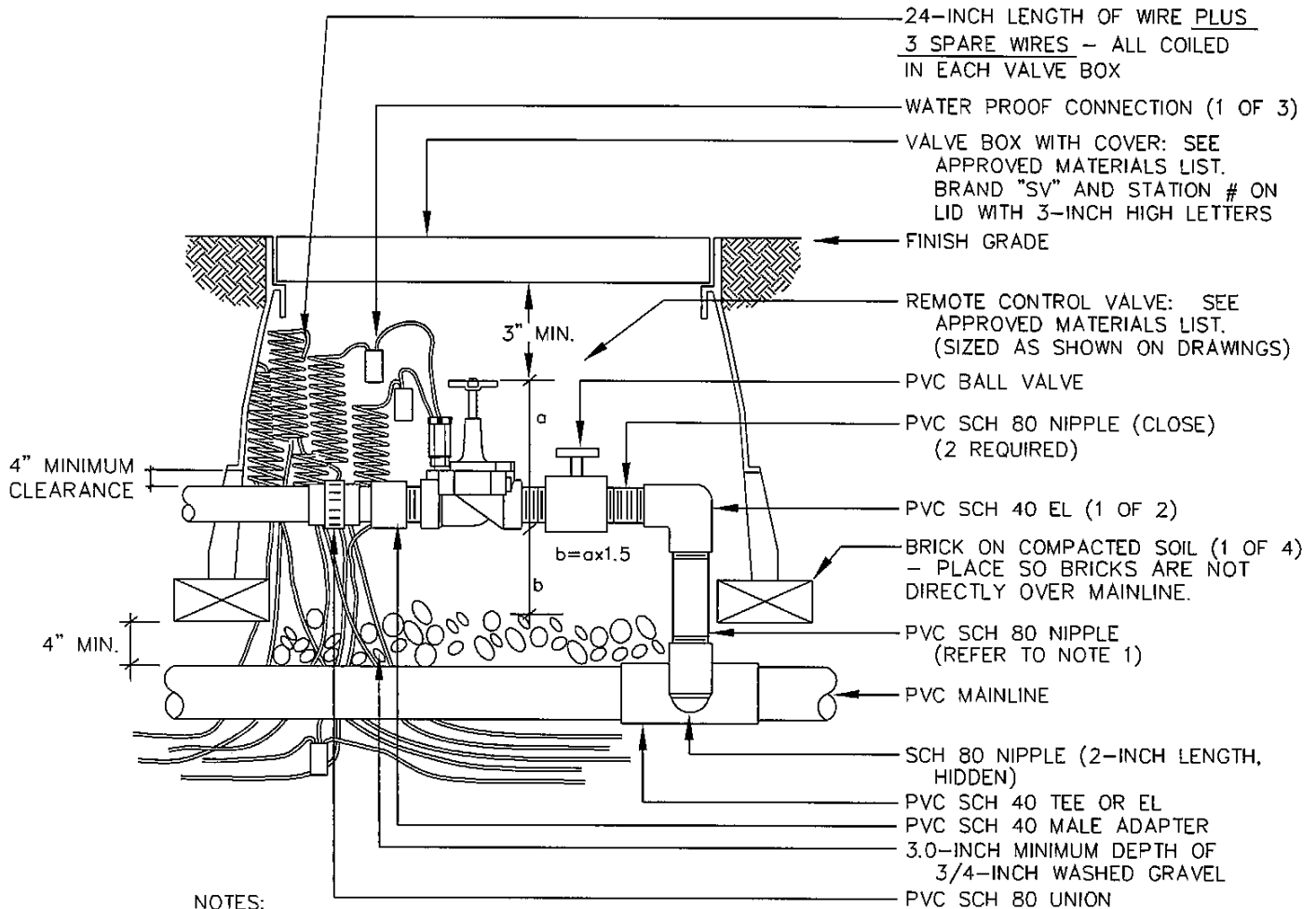


TOWN OF MEAD STANDARD DESIGN CRITERIA

WINTERIZATION ASSEMBLY

D8.03

DATE: 04/2021



NOTES:

1. INSTALL VERTICAL NIPPLE WITH LENGTH ADEQUATE TO ALLOW REMOVAL OF REMOTE CONTROL VALVE WITHOUT CUTTING PIPE OR REMOVING BONNET (IE. VALVE STEM SHOULD CLEAR MAINLINE PIPE).
2. FITTINGS AND BALL VALVE TO BE SIZED IDENTICALLY WITH CONTROL VALVE.
3. SEE CITY OF LONGMONT DESIGN STANDARDS & CONSTRUCTION SPECIFICATIONS AND APPROVED MATERIALS LIST FOR APPROVED PRODUCTS AND INSTALLATION REQUIREMENTS.

SCALE: NTS

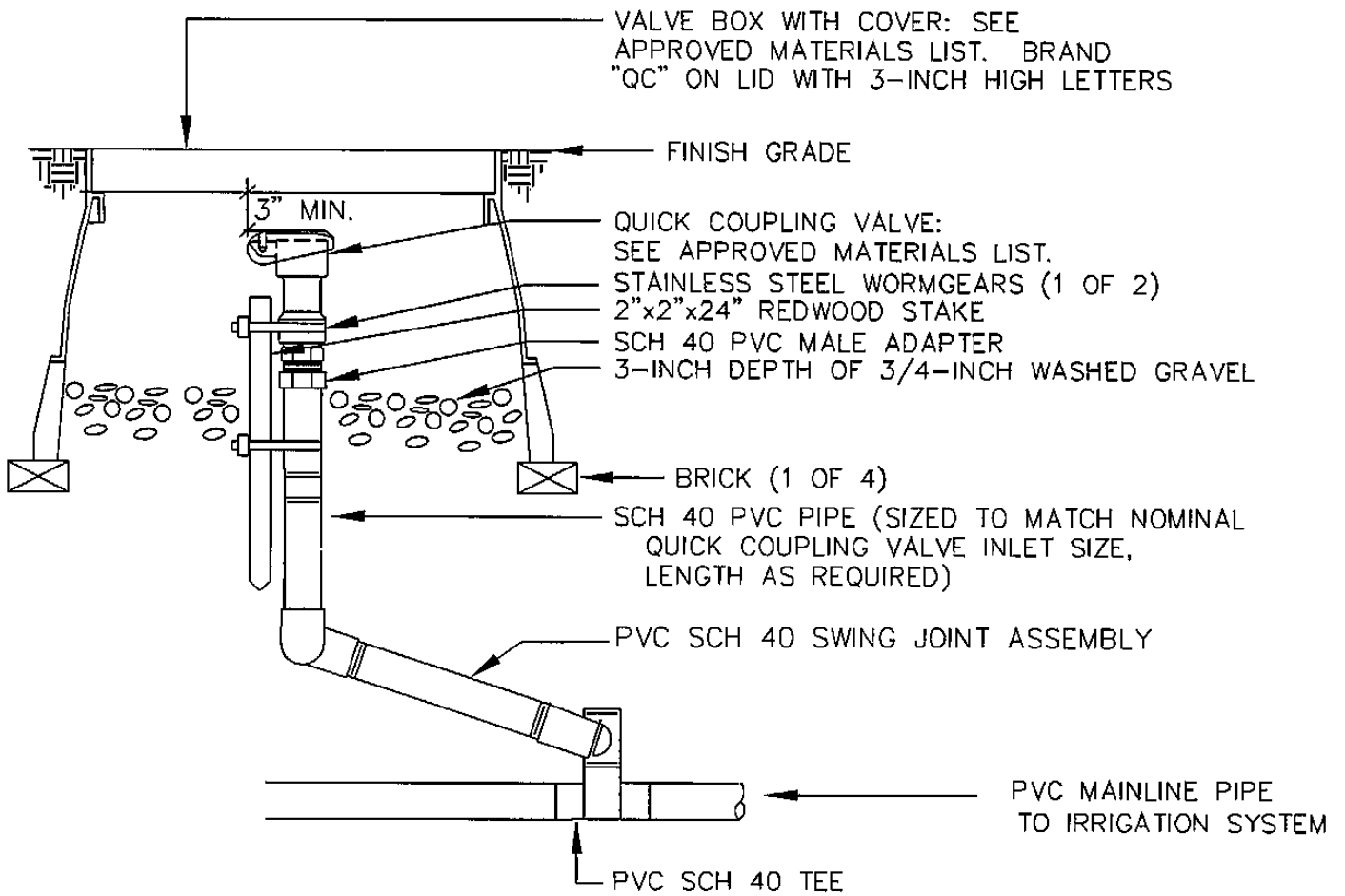


TOWN OF MEAD STANDARD DESIGN CRITERIA

REMOTE CONTROL VALVE ASSEMBLY

D8.04

DATE: 04/2021



NOTES:

1. QUICK COUPLER TO BE LOCATED IN THE CENTER OF THE VALVE BOX – PLACED AND STAKED COMPLETELY VERTICAL.
2. DEPTH OF BURY OF MAINLINE TO BE 24" MIN.
3. SEE DESIGN STANDARDS & CONSTRUCTION SPECIFICATIONS AND APPROVED MATERIALS LIST FOR APPROVED PRODUCTS AND INSTALLATION REQUIREMENTS.

SCALE: NTS

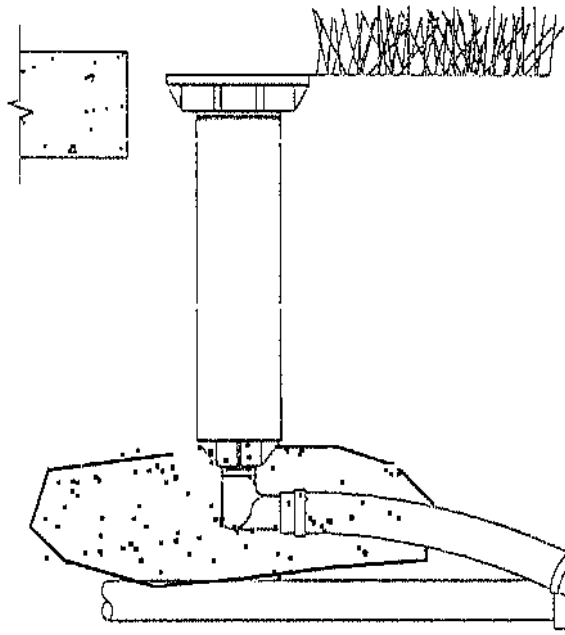


TOWN OF MEAD STANDARD DESIGN CRITERIA

QUICK COUPLER ASSEMBLY

D8.05

DATE: 04/2021



FINISH GRADE

CONCRETE BIKE PATH

POP-UP SPRAY SPRINKLER:
SEE APPROVED MATERIALS LIST.

BED HEADS IN 6" DEPTH OF SAND WHEN
LOCATED ADJACENT TO WALKS & BIKEPATHS.

1/2-INCH MALE NPT x .490 INCH BARB
ELBOW: SEE APPROVED MATERIALS LIST.

CRIMP-TYPE CLAMP

PVC LATERAL PIPE

PVC SCH. 40 TEE OR EL

SWING PIPE, 12-INCH LENGTH (MIN.):
TO MATCH PIPE BRAND. SEE APPROVED MATERIALS LIST.

NOTES:

1. SEE CITY OF LONGMONT DESIGN STANDARDS & CONSTRUCTION SPECIFICATIONS AND APPROVED MATERIALS LIST FOR APPROVED PRODUCTS AND INSTALLATION REQUIREMENTS.

SCALE: NTS

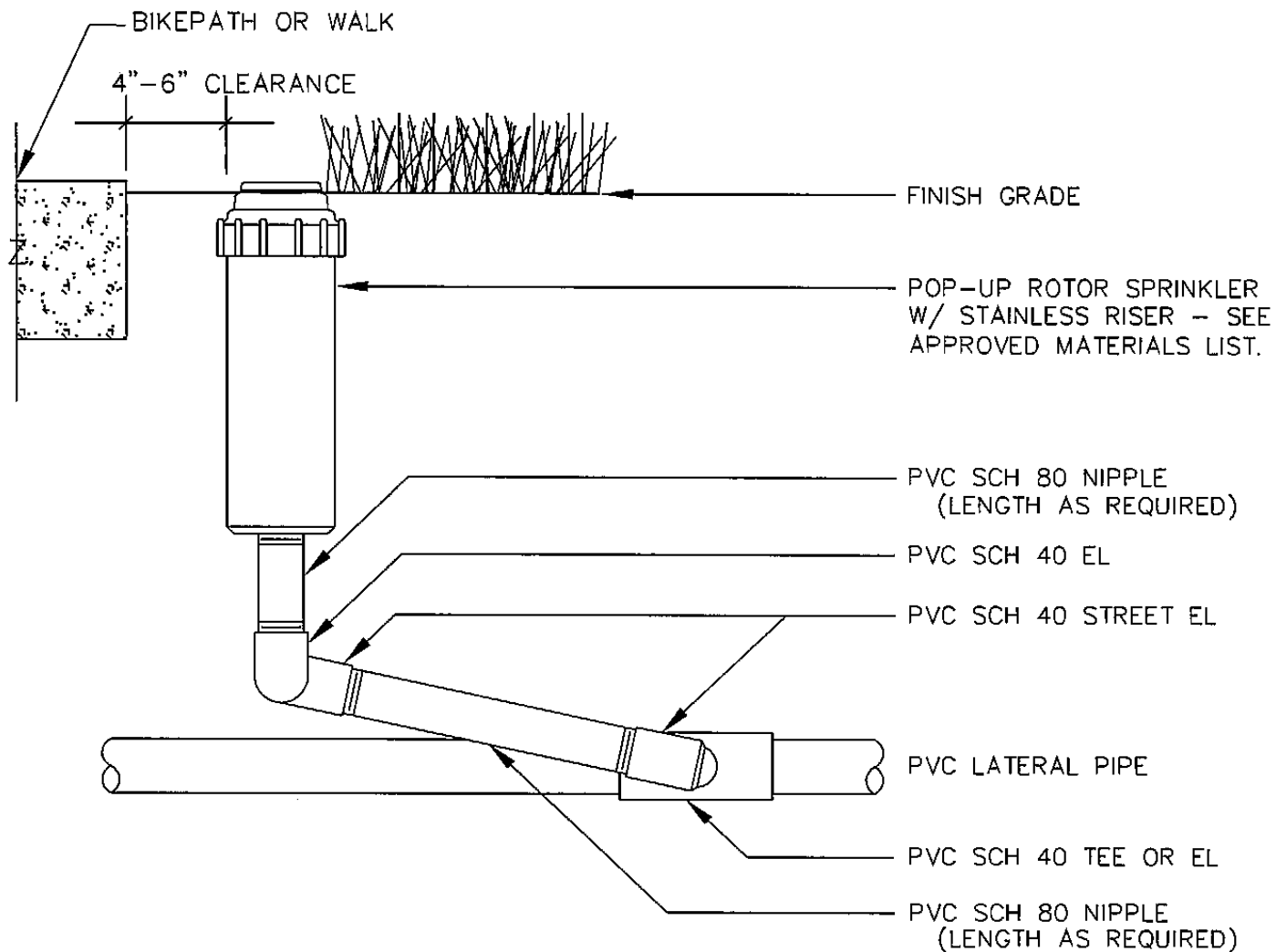


TOWN OF MEAD STANDARD DESIGN CRITERIA

POP-UP SPRAY SPRINKLER ASSEMBLY

D8.06

DATE: 04/2021



NOTES:

1. SEE CITY OF LONGMONT DESIGN STANDARDS & CONSTRUCTION SPECIFICATIONS AND APPROVED MATERIALS LIST FOR APPROVED PRODUCTS AND INSTALLATION REQUIREMENTS.

SCALE: NTS

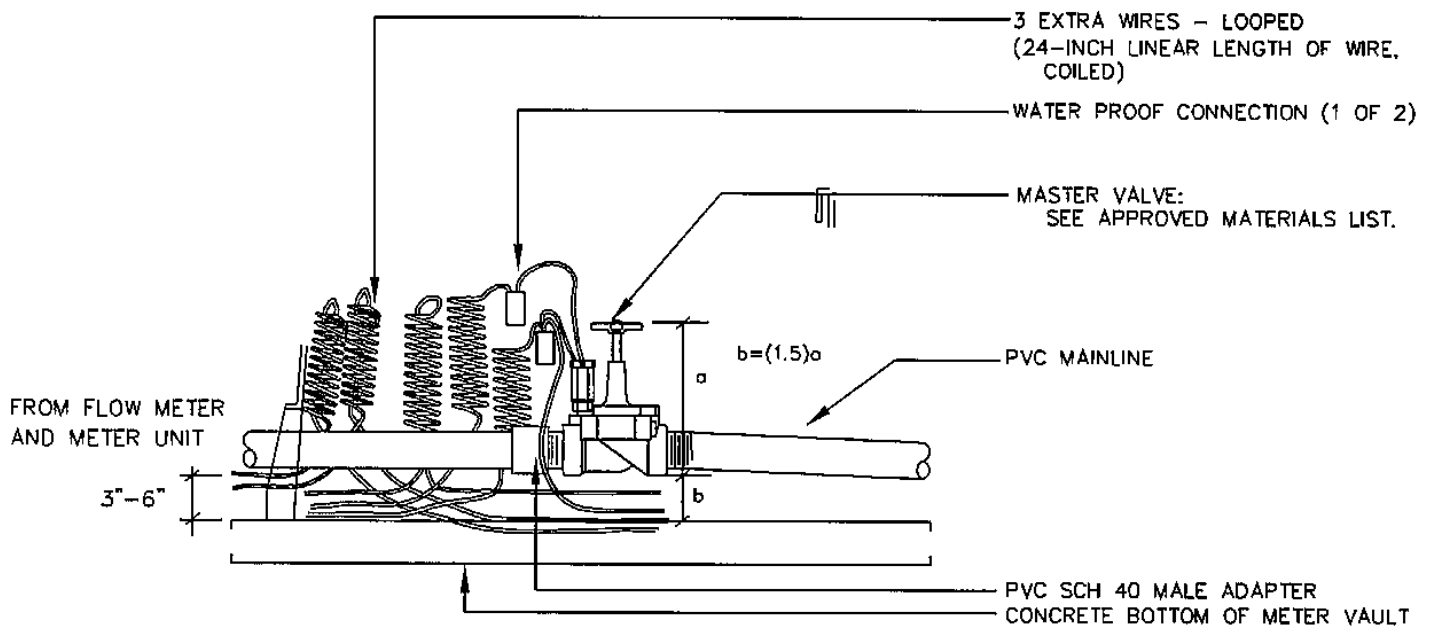


TOWN OF MEAD STANDARD DESIGN CRITERIA

POP-UP ROTOR SPRINKLER ASSEMBLY

D8.07

DATE:04/2021



NOTES:

1. FITTINGS AND MASTER VALVE TO BE SIZED IDENTICALLY WITH MAINLINE.
2. MASTER VALVE TO BE LOCATED WITHIN METER PIT (SEE DETAIL).
3. SEE CITY OF LONGMONT DESIGN STANDARDS & CONSTRUCTION SPECIFICATIONS AND APPROVED MATERIALS LIST FOR APPROVED PRODUCTS AND INSTALLATION REQUIREMENTS.

SCALE: NTS



TOWN OF MEAD STANDARD DESIGN CRITERIA

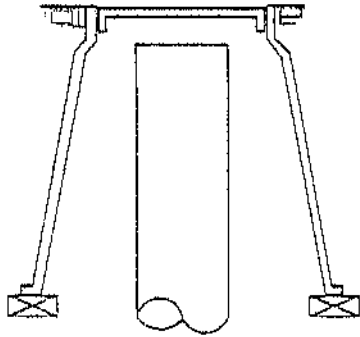
MASTER VALVE ASSEMBLY

D8.08

DATE: 04/2021

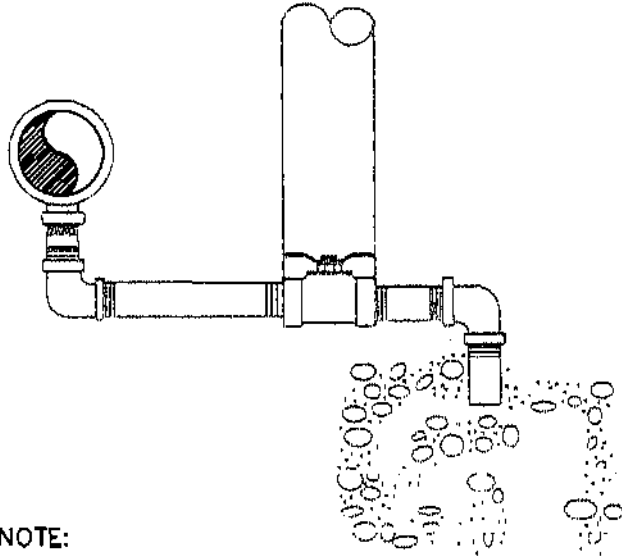
TEE OR EL ON MAINLINE PIPE

10" VALVE BOX WITH COVER: SEE APPROVED MATERIALS LIST. BRAND "DV" IN LID WITH 3-INCH HIGH LETTERS. FINISH GRADE



6-INCH PVC CL 160 PIPE
(LENGTH AS REQUIRED)

BRICK (1 OF 2)



PVC SCH 80 NIPPLE (2.0-INCH LENGTH)

PVC SCH 80 NIPPLE (4.0-INCH LENGTH)

PVC SCH 80 EL (1 OF 2)

PVC SCH 80 NIPPLE (4.0-INCH LENGTH)

SUMP OF 4.0 CUBIC FEET OF 3/4-INCH WASHED GRAVEL

3/4-INCH BALL VALVE WITH TEE HANDLE: SEE APPROVED MATERIALS LIST.

PVC SCH 80 NIPPLE (8.0-INCH LENGTH)

NOTE:

1. SLEEVE TO BE SET SQUARE OVER BALL VALVE TO ALLOW FOR OPERATION OF VALVE WITHOUT BINDING.
2. SEE CITY OF LONGMONT DESIGN STANDARDS & CONSTRUCTION SPECIFICATIONS AND APPROVED MATERIALS LIST.

SCALE: NTS

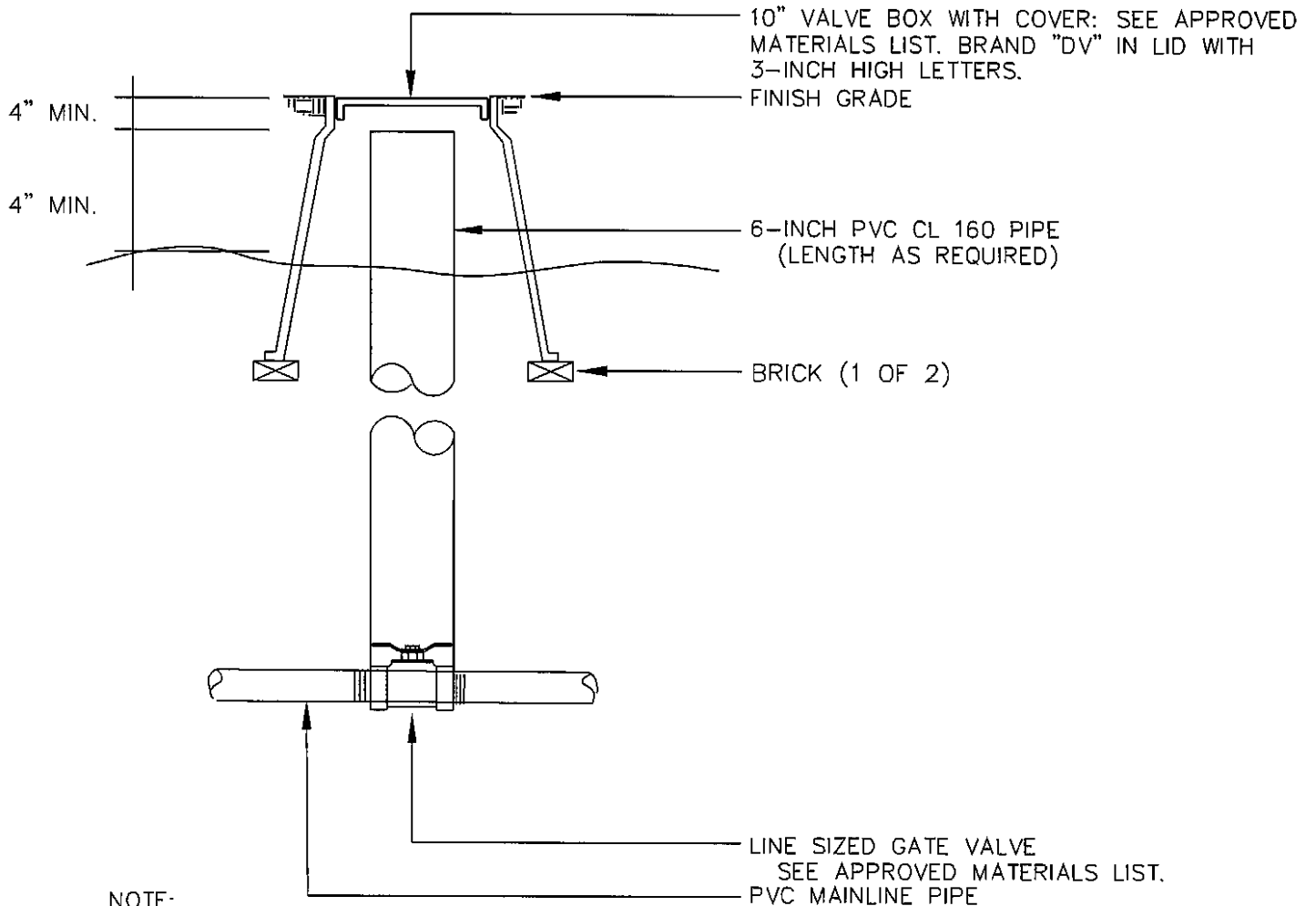


TOWN OF MEAD STANDARD DESIGN CRITERIA

VALVE DRAIN ASSEMBLY

D8.09

DATE: 04/2021



NOTE:

1. SLEEVE TO BE SET SQUARE OVER BALL VALVE TO ALLOW FOR OPERATION OF VALVE WITHOUT BINDING.
2. SEE CITY OF LONGMONT DESIGN STANDARDS & CONSTRUCTION SPECIFICATIONS AND APPROVED MATERIALS LIST FOR APPROVED PRODUCTS AND INSTALLATION REQUIREMENTS.

SCALE: NTS

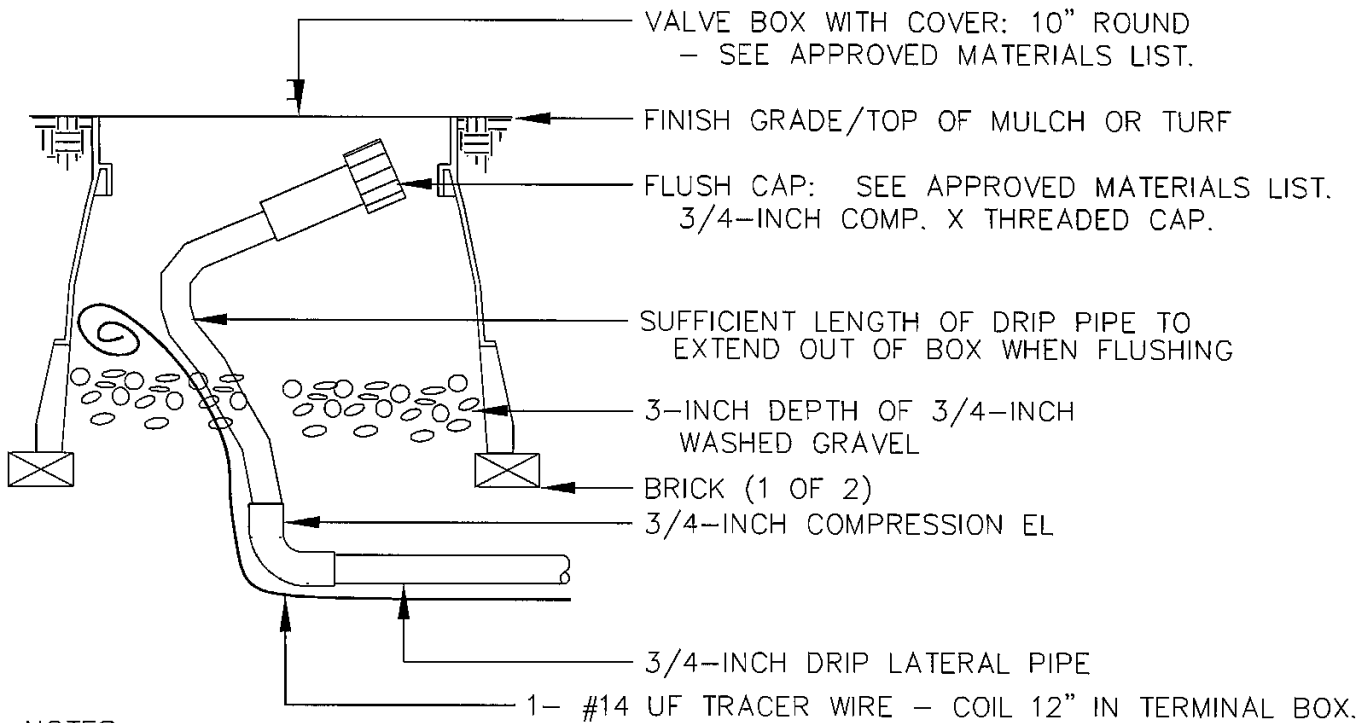


TOWN OF MEAD STANDARD DESIGN CRITERIA

GATE VALVE ASSEMBLY

D8.10

DATE: 04/2021



NOTES:

1. FLUSH CAP ASSEMBLY TO BE LOCATED AT THE TERMINUS OF EACH DRIP LINE.
2. INSTALL TRACER WIRE TO END OF EACH DRIP LINE BRANCH (TO TREES IN TURF AREAS ONLY) FOR EASE OF FUTURE LOCATES.
3. SEE CITY OF LONGMONT DESIGN STANDARDS & CONSTRUCTION SPECIFICATIONS AND APPROVED MATERIALS LIST FOR APPROVED PRODUCTS AND INSTALLATION REQUIREMENTS.

SCALE: NTS

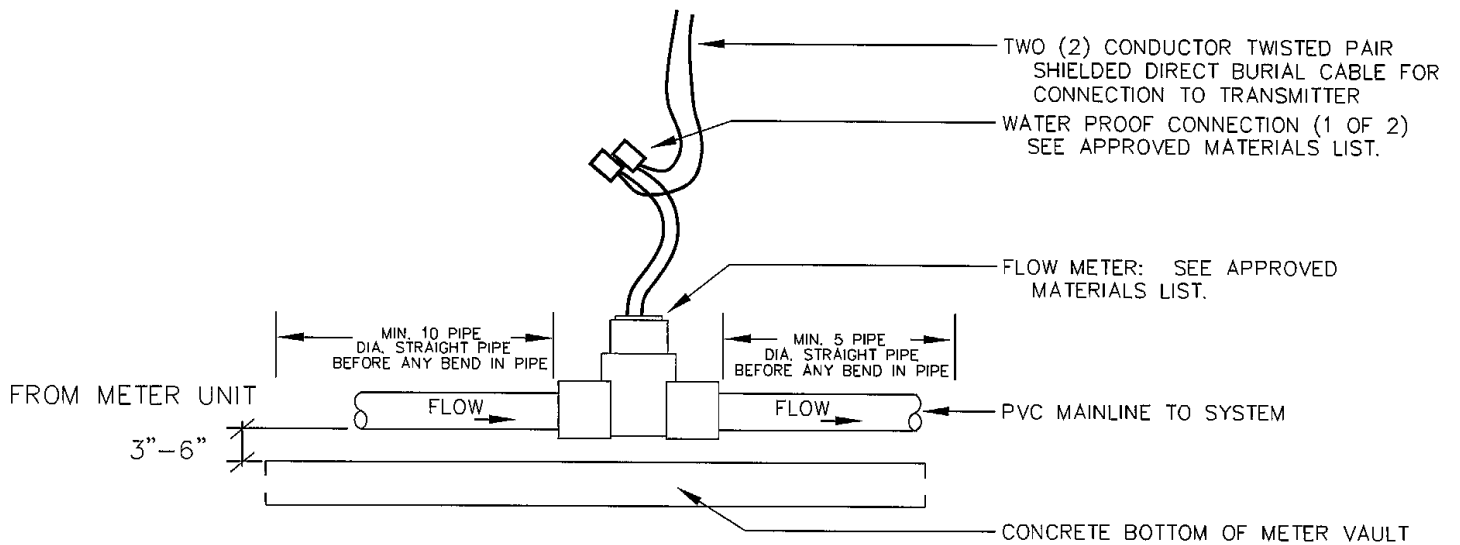


TOWN OF MEAD STANDARD DESIGN CRITERIA

FLUSH CAP ASSEMBLY

D8.11

DATE: 04/2021



- NOTES: 1. LOCATION OF FLOW METER ASSEMBLY TO BE LOCATED WITHIN METER PIT (SEE DETAIL) AND DETERMINED BY DISTANCES NOTED ON DETAIL ABOVE.
2. SEE CITY OF LONGMONT DESIGN STANDARDS & CONSTRUCTION SPECIFICATIONS AND APPROVED MATERIALS LIST FOR APPROVED PRODUCTS AND INSTALLATION REQUIREMENTS.

SCALE: NTS

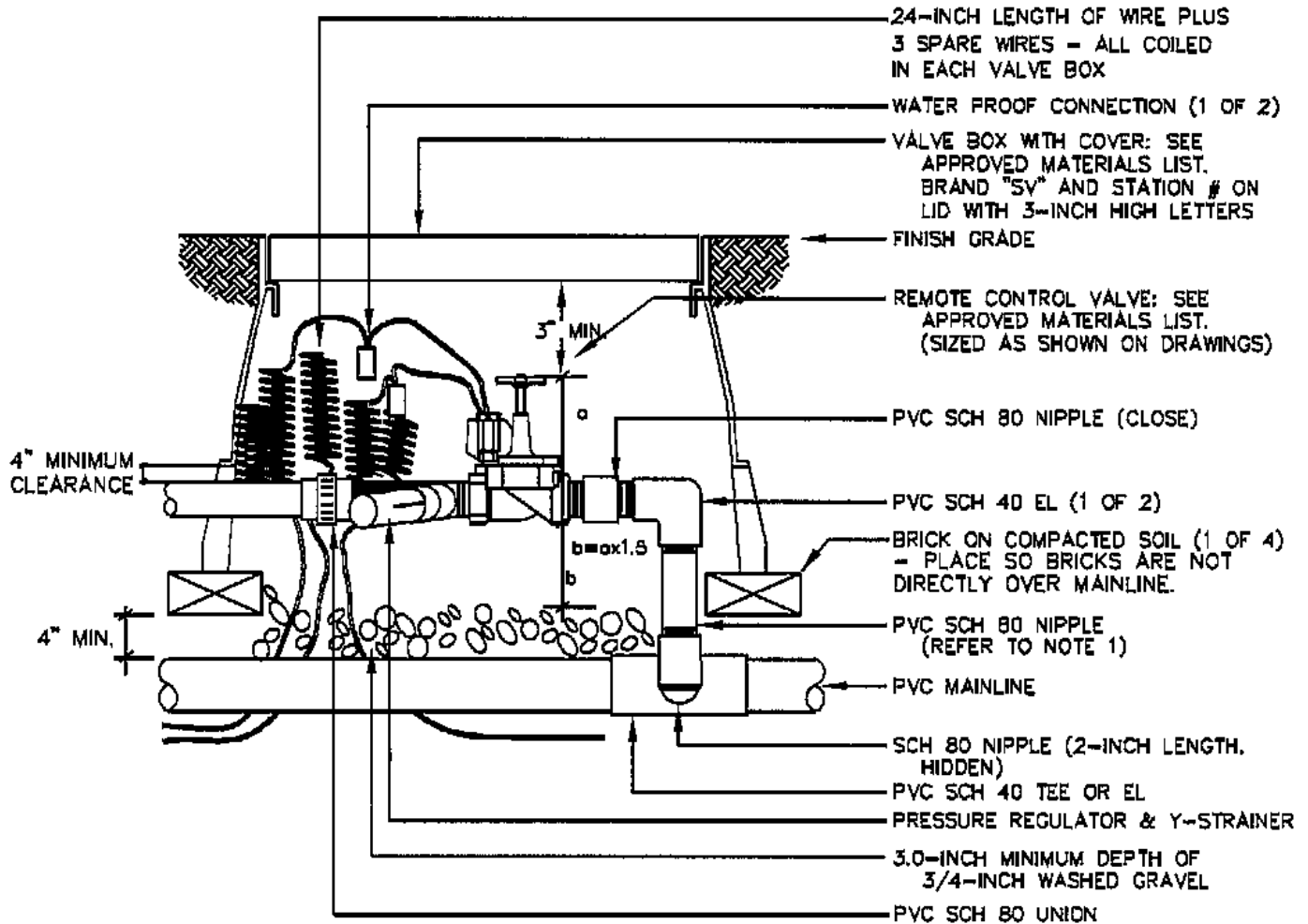


TOWN OF MEAD STANDARD DESIGN CRITERIA

FLOW METER ASSEMBLY

D8.12

DATE: 04/2021



NOTES:

1. FITTINGS AND BALL VALVE TO BE SIZED IDENTICALLY WITH CONTROL VALVE.
2. SEE CITY OF LONGMONT DESIGN STANDARDS & CONSTRUCTION SPECIFICATIONS AND APPROVED MATERIALS LIST FOR APPROVED PRODUCTS AND INSTALLATION REQUIREMENTS.

SCALE: NTS



TOWN OF MEAD STANDARD DESIGN CRITERIA

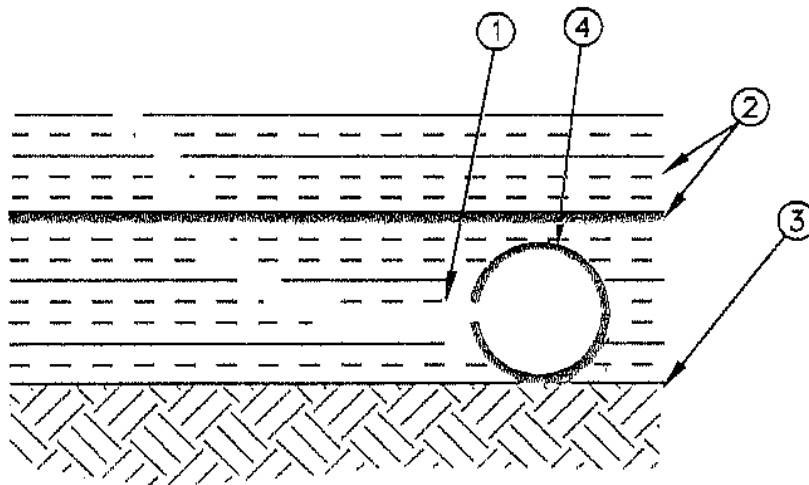
DRIP REMOTE CONTROL VALVE ASSEMBLY

D8.13

DATE: 04/2021

LEGEND

1. SPIRAL BARB EMITTER – SEE APPROVED MATERIALS LIST.
2. 4" MINIMUM DEPTH OF MULCH OVER WEED BARRIER
3. UNDISTURBED SOIL
4. DRIP LATERAL PIPE – SEE APPROVED MATERIALS LIST.



NOTES:

1. PROVIDE SUFFICIENT STAKES TO SECURE PIPE BELOW MULCH.
2. EMITTER TO BE PLACED WITHIN PLANTING PIT AREA OF SHRUBS OR TREES. IF SLOPED AREA, PLACE ON UPHILL SIDE OF PLANTING.
3. 2 – 1 GAL/HR EMITTERS PER SHRUB & 4 1 GAL/HR EMITTERS / TREE (2" CAL. SIZE) ARE REQUIRED. SPACE EMITTERS EVENLY.
4. SEE CITY OF LONGMONT DESIGN STANDARDS & CONSTRUCTION SPECIFICATIONS AND APPROVED MATERIALS LIST FOR APPROVED PRODUCTS AND INSTALLATION REQUIREMENTS.
5. NO SPAGHETTI TUBING ALLOWED!
6. TRACER WIRE TO BE INSTALLED WITH ALL BURIED DRIP PIPE IN NATIVE GRASS AREAS AND IN OTHER AREAS WHERE NOT LOCATED AT THE SURFACE IN A SHRUB BED.

SCALE: NTS



TOWN OF MEAD STANDARD DESIGN CRITERIA

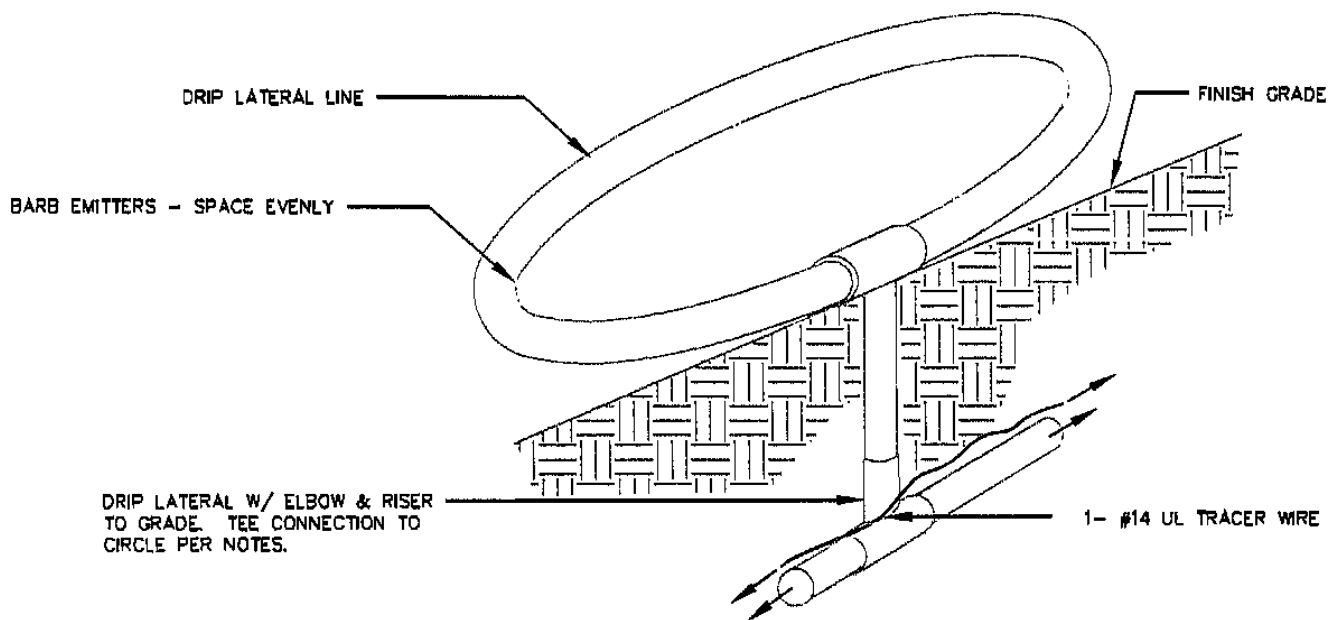
SHRUB BED DRIP DETAIL

D8.14

DATE: 04/2021

NOTES

1. SPIRAL BARB EMITTER - SEE APPROVED MATERIALS LIST.
2. 3" MINIMUM DEPTH OF COVER BELOW MULCH IN PLANTING PITS
3. 12" MIN. TRENCH DEPTH FOR DRIP LATERALS BETWEEN PLANTINGS
4. DRIP LATERAL PIPE - SEE APPROVED MATERIALS LIST.
(NO 1/4" DISTRIBUTION TUBING (SPAGHETTI TUBING) ALLOWED!)
5. 2' DIAMETER DRIP PIPE TO CIRCLE EACH TREE, 18" DIAMETER DRIP PIPE TO CIRCLE EACH SHRUB IN OPEN TURF AREAS. STAKE SECURELY AT PERIMETER OF PLANTING PIT AND COVER WITH 3" MIN. DEPTH MULCH.
6. ALL FITTINGS TO BE SECURED WITH STAINLESS COMPRESSION TYPE FITTINGS, OR APPROVED EQUAL.
7. INSTALL TRACER WIRE DIRECTLY ABOVE DRIP LATERALS BURIED UNDER TURF AREAS FOR EASE OF FUTURE LOCATES.



NOTES:

1. SEE CITY OF LONGMONT DESIGN STANDARDS & CONSTRUCTION SPECIFICATIONS AND APPROVED MATERIALS LIST FOR APPROVED PRODUCTS AND INSTALLATION REQUIREMENTS.

SCALE: NTS

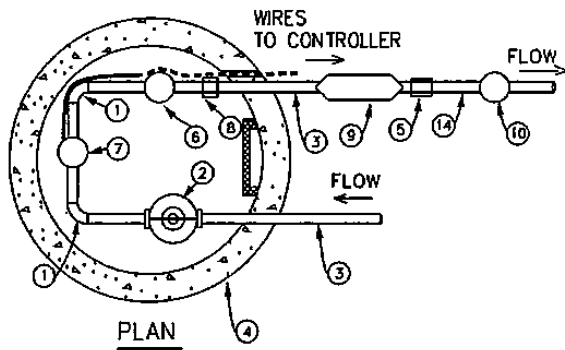


TOWN OF MEAD STANDARD DESIGN CRITERIA

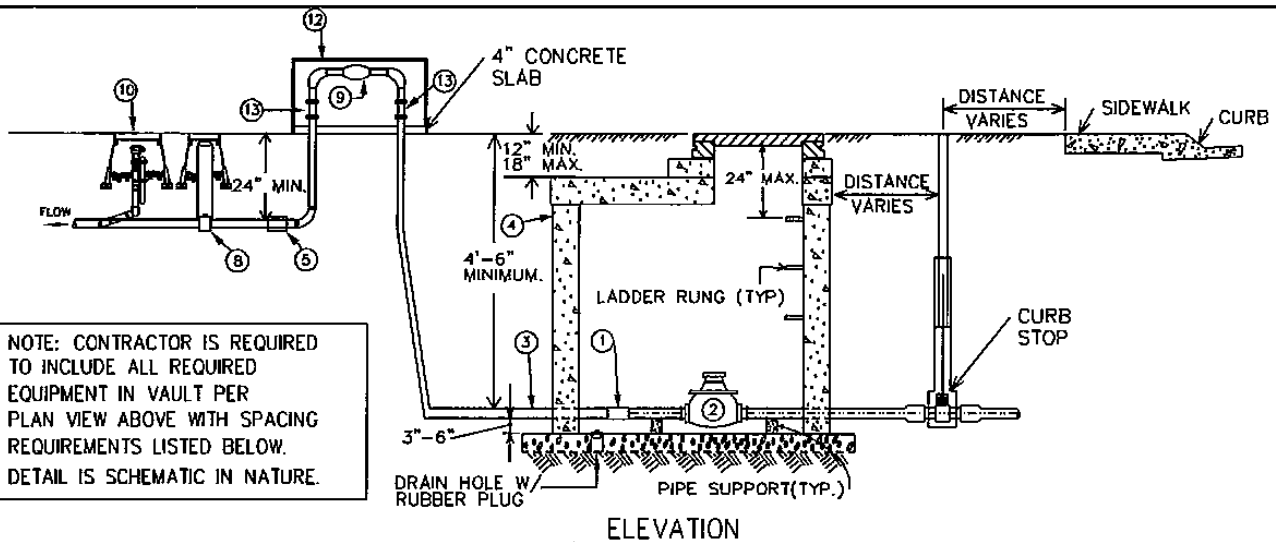
DRIP TO TREES IN OPEN TURF AREAS

D8.15

DATE: 04/2021



- ① - 90 DEG. ELBOW
- ② - METER UNIT
- ③ - TYPE K 'SOFT' COPPER TUBING
- ④ - 60" CONCRETE VAULT
- ⑤ - PVC ADAPTER
- ⑥ - MASTER VALVE
- ⑦ - FLOW METER
- ⑧ - DRAIN VALVE
- ⑨ - REDUCED PRESSURE PRINCIPLE BPD
- ⑩ - WINTERIZATION ASSEMBLY
- ⑪ - 2" CLASS 200 PVC OR SMALLER
- ⑫ - STRONGBOX ENCLOSURE
- ⑬ - UNION



NOTE: CONTRACTOR IS REQUIRED TO INCLUDE ALL REQUIRED EQUIPMENT IN VAULT PER PLAN VIEW ABOVE WITH SPACING REQUIREMENTS LISTED BELOW. DETAIL IS SCHEMATIC IN NATURE.

NOTES:

- A - BASE AND BOTTOM BARREL SECTION SHALL BE PRECAST AS A SINGLE UNIT. THE VAULT IS INTENDED TO BE WATERTIGHT, USE APPROVED GASKET MATERIALS TO SEAL PIPE PENETRATIONS.
- B - A 60" DIA. VAULT IS REQUIRED FOR ALL TAPS 3/4" - 2" IN SIZE. METERS LARGER THAN 2" OR NON-POTABLE SYSTEMS WILL REQUIRE A SPECIAL DESIGN TO VERIFY VAULT SIZE.
- C - COPPER JOINTS INSIDE METER VAULT SHALL BE EITHER THREAD OR SOLDERED WITH 95-5 TINANTIMONY SOLDER.
- D - COORDINATE WITH CITY OF LONGMONT WATER/WASTEWATER OPERATIONS & MAINTENANCE FOR PICK-UP OF METERS & METER CONNECTERS.
- E - METERS TO BE INSTALLED PER WATER/WASTEWATER STANDARDS AND DETAILS.
- F - NO CONNECTIONS OR CHANGES IN PIPE DIRECTION SHALL BE MADE IN 10 PIPE DIAMETERS UPSTREAM OF THE FLOW SENSOR OR 5 PIPE DIAMETERS DOWNSTREAM OF THE FLOW SENSOR.
- G - LADDER RUNGS SHALL BE CENTERED UNDER EITHER SIDE OF PIT LID AND OVER METER.
- H - EXTEND 2 SPARE WIRES BETWEEN THE FLOW SENSOR AND THE CONTROLLER. WIRES TO BE IN 3/4" PVC CONDUIT THROUGH VAULT WALL. CONDUIT TO BE SEALED WITH WATERPROOF SILICONE FROM INSIDE OF VAULT.
- I - REDUCED PRESSURE BPDs ARE TO BE LOCATED SO SURROUNDING GRADES DRAIN TO A PAVED SURFACE WITHOUT ENCOUNTERING BUILDINGS OR OTHER STRUCTURES.
- J - SEE CITY OF LONGMONT DESIGN STANDARDS & CONSTRUCTION SPECIFICATIONS AND APPROVED MATERIALS LIST FOR APPROVED PRODUCTS AND INSTALLATION REQUIREMENTS.
- K - SEE WINTERIZATION, FLOW METER AND MASTER VALVE DETAILS.

SCALE: NTS

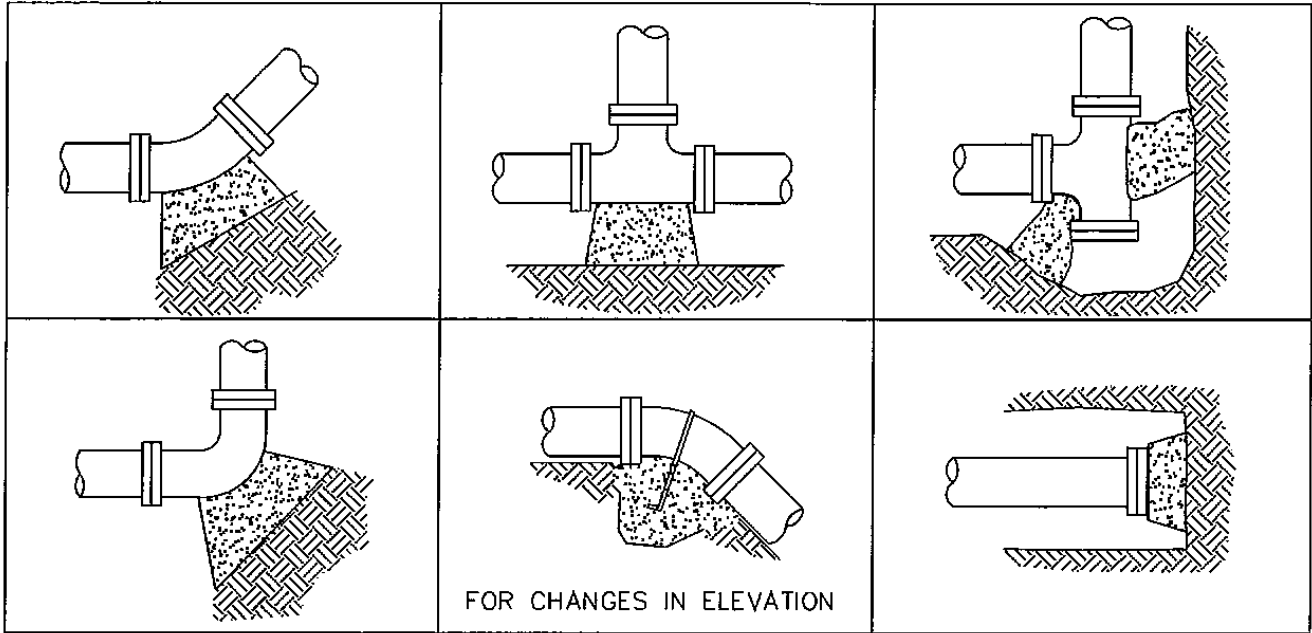


TOWN OF MEAD STANDARD DESIGN CRITERIA

BACKFLOW PREVENTER CONCRETE VAULT

D8.16

DATE: 04/2021



THRUST BLOCK SURFACE AREA AGAINST UNDISTURBED SOIL (SF)

PIPE SIZE	BENDS			TEE OR DEAD END
	22-1/2°	45°	90°	
3"	0.3	0.6	1.1	0.8
4"	0.5	1.1	1.9	1.4

*BASED ON 2,000 PSF SOIL BEARING CAPACITY

NOTES:

1. USE NO. 4 REBAR WITH MASTIC COATING WHERE PIPE MUST BE ANCHORED TO THRUST BLOCK.
2. INSTALL THRUST BLOCK SO THE HORIZONTAL AND VERTICAL DIMENSIONS OF THE THRUST BLOCK ARE APPROXIMATELY EQUAL.
3. INSTALL THRUST BLOCKS AGAINST UNDISTURBED SOIL.
4. KEEP WIRES CLEAR OF THRUST BLOCK.
5. IRRIGATION CONTRACTOR SHALL VERIFY SOIL BEARING CAPACITY. IF SOIL BEARING CAPACITY VARIES FROM ASSUMPTION LISTED ABOVE, CONTRACTOR SHALL RE-DESIGN AS NEEDED.

SCALE: NTS

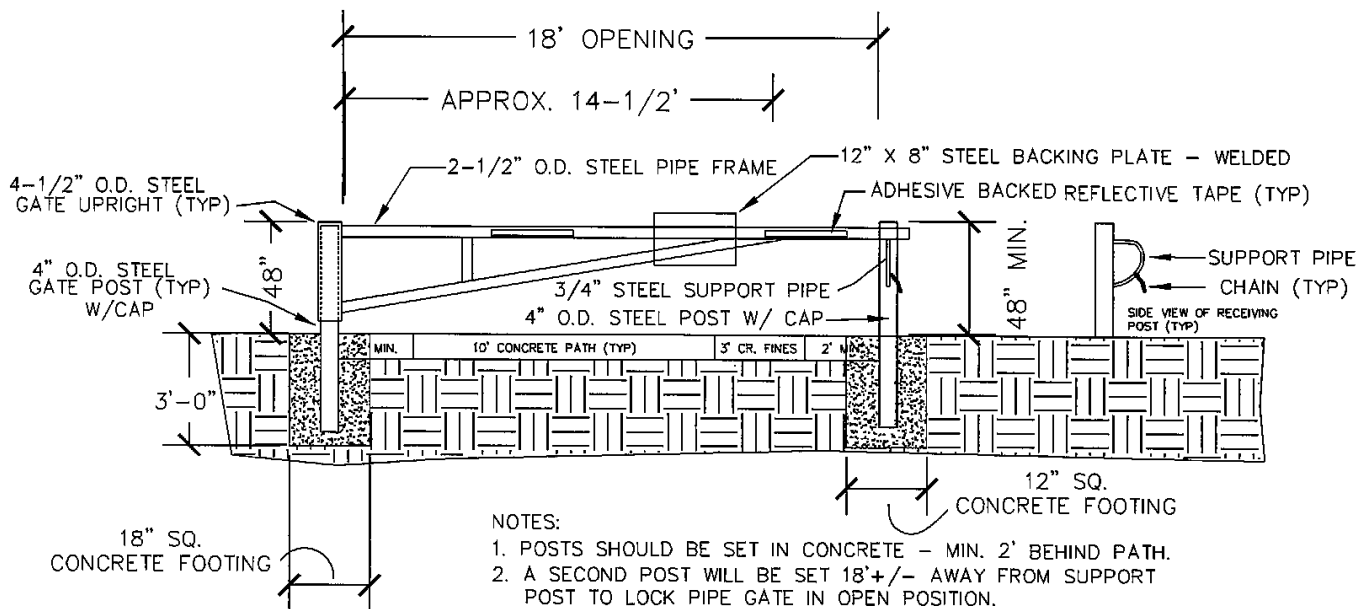


TOWN OF MEAD STANDARD DESIGN CRITERIA

CONCRETE THRUST BLOCK

D8.17

DATE: 04/2021



NOTES:

1. POSTS SHOULD BE SET IN CONCRETE - MIN. 2' BEHIND PATH.
2. A SECOND POST WILL BE SET 18'+/- AWAY FROM SUPPORT POST TO LOCK PIPE GATE IN OPEN POSITION.
3. ASSUMING 200 PSF SOIL PRESSURE
4. PROVIDE SHOP DRAWINGS FOR REVIEW
5. ALUMINUM SIGN READING "PATH CLOSED DUE TO HIGH WATER - PLEASE USE ALTERNATE ROUTE. EL PASADERO CERRO DEBIDO REGAR ALTO - POR FAVOR USE ALTERNA LA RUTA PASADERO" TO BE INSTALLED ON BACKING PLATE.
6. REFLECTIVE TAPE REQUIRED ON ALL POSTS.
7. 3/16" CHAIN REQUIRED ON POSTS TO SECURE GATE OPEN AND CLOSED.
8. FINISH TO BE GALVANIZED OR APPROVED EQUAL.

SCALE: NTS



TOWN OF MEAD STANDARD DESIGN CRITERIA

FLOOD GATE

D8.18

DATE: 04/2021